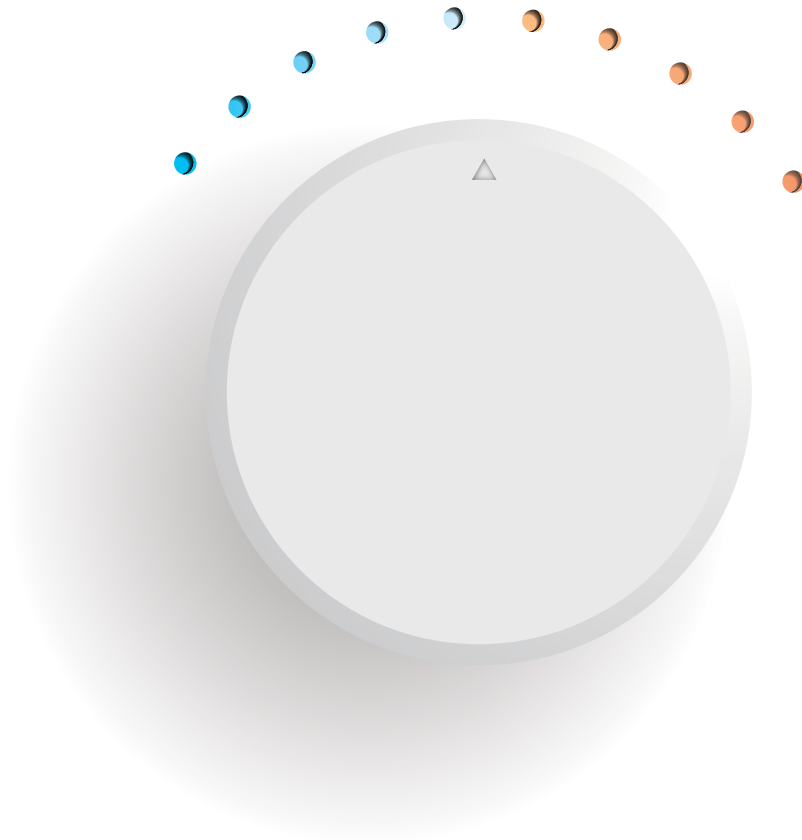


SUPER MATCH

R32 DC Inverter Multi-Split Systems



Haier

Product Brochure



Home



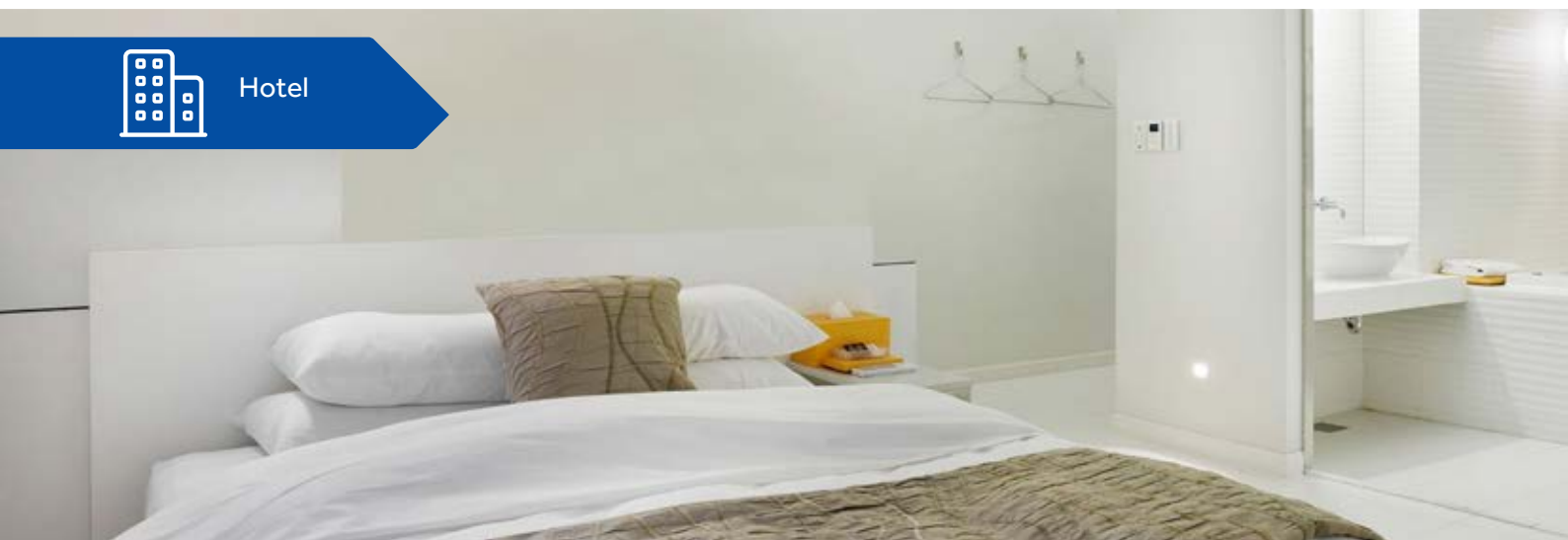
Office



Shop



Hotel





Contents

Outdoor units	5
High wall	7
Cassette	9
Slim low static duct	11
Matching table	12
Drawings	14
Control systems	17

FEATURES & BENEFITS



Super Match

The Super Match system is designed for various indoor conditions.

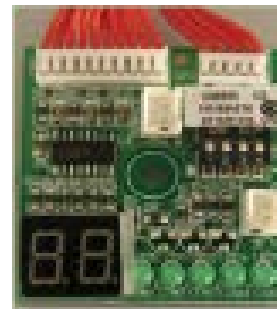
Simple Wiring

Wiring solution: parallel connection and easy wiring.
 Note: Red line = power wire;
 Blue line = communication wire;
 Black line = pipe.



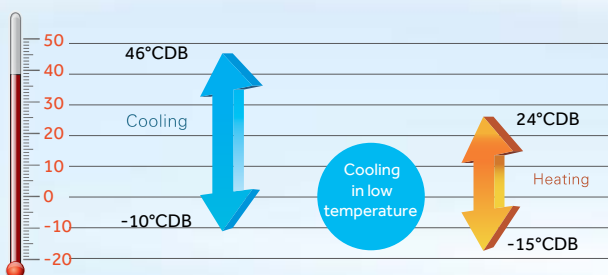
Faster Servicing

An easily accessible maintenance panel and service screen enable fast diagnostics.



Wider range of operation

The outdoor unit operates in a wide range of external temperatures.
 Cooling: from -10°C to 46°C
 Heating: from -15°C to 24°C



R32 refrigerant

This Super Match outdoor unit uses a next-generation R32 refrigerant, which carries heat efficiently and has a lower Global Warming Potential than R410A.



OUTDOOR UNITS



3U55S2PR1FA
4U71S2PR1FA
4U80S2PR1FA

 180° sine wave DC inverter



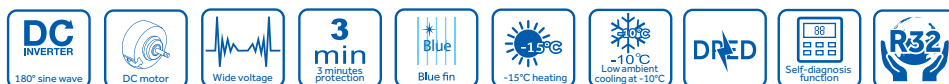
5U100S2PS1FA

 180° sine wave DC inverter



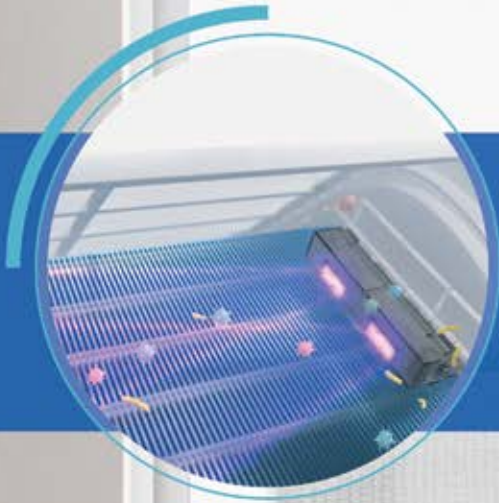
5U125S2PN1FA

 180° sine wave DC inverter



Model/outdoor unit			3U55S2PR1FA	4U71S2PR1FA	4U80S2PR1FA	5U100S2PS1FA	5U125S2PN1FA	
Maximum connected quantity of indoor units			3	3	4	5	5	
Performance data	Capacity	Cooling	kW nom	5.5	7.1	8.0	10.0	12.0
			(min~max)	2.1~6.6	2.4~8.7	3.2~9.5	3.2~11	3.2~13.8
		Heating	kW nom	5.8	8.0	8.8	10.0	12.0
			(min~max)	1.7~7.2	3.1~10	4.4~10.5	4.4~11.5	4.4~14.3
	Rated power input	Cooling	kW nom	1.4	2.0	2.4	2.9	3.5
			(min~max)	0.55~2.5	0.55~3.4	0.55~3.5	0.55~4.1	0.55~5.2
		Heating	kW nom	1.4	2.0	2.3	2.4	2.9
(min~max)			0.55~2.2	0.55~3.1	0.55~3.4	0.55~3.4	0.55~4.3	
EER/COP			3.99/4.20	3.64/4.10	3.40/3.91	3.45/4.20	3.40/4.10	
AEER/ACOP			3.86/4.07	3.52/3.97	3.31/3.80	3.37/4.08	3.32/3.98	
Electrical Parameters	Power supply		Ph/V/Hz	1/220~240/50/60				
	Rated Load Amps (RLA)	Cooling	Amp	6.1/6.1	8.7/8.7	10.5/10.1	12.9/10.6	15.5/12.8
	Maximum Amps	Heating	Amp	10.8/9.5	14.7/13.5	15.5/14.6	18.2/14.6	23.0/18.7
	Breaker Size		Amp	25				30
Performance	Air flow (H/M/L)		m³/h	3000	4000	4200		
	Sound power level (H/M/L)		dB(A)	64	68	70	73	
	Sound pressure level (H/M/L)		dB(A)	51	55	58		
Installation	External dimensions (W/D/H)		mm	890x340x700		920x372x760	950x370x965	
	Shipping dimensions (W/D/H)		mm	1010x455x835		1045x488x890	1050x485x1170	
	Net/Shipping weight		kg	50/59	61/70	66/77	79/91	
	Compressor type			Twin Rotary (DC Inverter)				
	Refrigerant type / Charge			R32 / 1.4	R32 / 2.2	R32 / 2.4	R32 / 2.5	
	GWP			675				
	Refrigerant liquid pipe		mm	3xØ6.35	4xØ6.35	5xØ6.35		
	Refrigerant gas pipe		mm	3xØ9.52	3xØ9.52 + 1xØ12.7	3xØ9.52 + 2xØ12.7		
	Total pipe length (Max)		m	50	70	80	100	
	Single pipe length (Max)		m	25				
	Max height between I.U. & O.U		m	15				
	Max height between I.U.& I.U		m	7.5				
Pre-charge length		m	30	40	50			
Additional refrigerant charge		g/m	20					
Working temp.	Cooling(Min-Max)		°C	-10 to +46				
	Heating(Min-Max)		°C	-15 to +24				

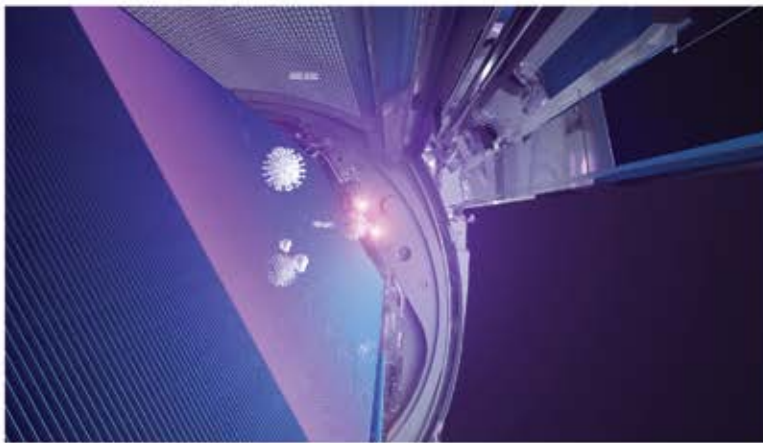
FEATURES & BENEFITS



UV Protect

Built-in LED UV light helps to kill airborne pathogens, delivering clean air to your room.

Technology



UV Protect helps to deliver clean air to your room using Health mode, with built-in LED UV lights that kill airborne *Staphylococcus aureus* bacteria and the H3N2 virus at more than 91% effectiveness under specific test conditions.*

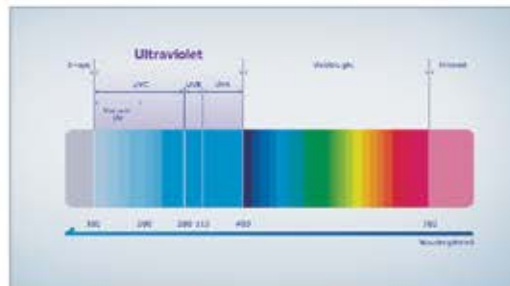
*Independent testing has found 91.47% elimination of the H3N2 virus in a 30 metre³ closed room and 92.78% of *Staphylococcus aureus* bacteria in a 10m² closed room, for two hours on Health mode at the highest fan speed.

Benefits



Safe operation

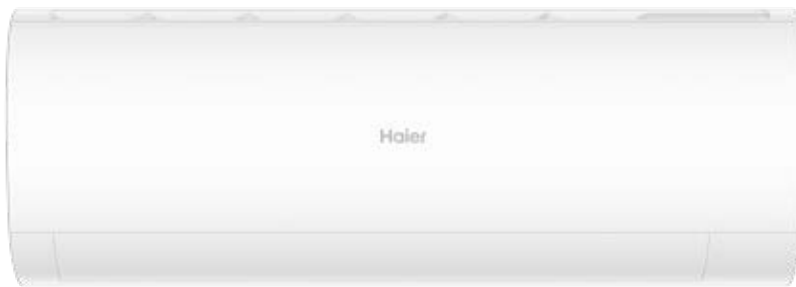
UV Protect helps to deliver clean air without the use of harmful chemicals or pollutants.



Effective sterilisation

Haier UVC sterilisation utilises a wavelength between 265 and 275nm, which is more capable of destroying invisible pollutants in the air than UVA or UVB.

HIGH WALL



YR-HE

 **AS26PBDHRA**

For comprehensive controls features, see controls page



Model		AS20PBDHRA	AS26PBDHRA	AS35PBDHRA	AS53PDDHRA	AS71PDDHRA	
Capacity Electrical	Cooling	kW nominal	2.0	2.5	3.5	5.0	7.0
	Heating	kW nominal	2.3	3.0	3.7	5.5	7.6
	Sensible heat ratio (cooling)	W	0.76				
	Dehumidifying capacity (cooling)	10 ⁻³ x m ³ /h	1	1.2	1.6	3	3
	Power supply	Ph/V/Hz	1/220-240/50				
Indoor unit	Air flow (H/M/L/Q)	m ³ /h	560/480/350	560/480/350	650/550/450	950/830/710	1100/940/800
	External dimensions (WxDxH)	mm	805x200x292			970x220x320	
	Shipping dimensions (WxDxH)	mm	874x363x270			1035x285x285	
	Drainage Pipe (material. I.D/O.D)	mm	PVC,13/17				
	Control type (Remote/Wired)		Remote YR-HE(S) / Wired YR-E17A(O)				
	W-Fi		(S)				
	Sound power level (H/M/L)	dB(A)	58	58	60	66	67
	Sound pressure cool (H/M/L)	dB(A)	40/36/32/21	40/36/32/21	40/36/32/22	47/43/37/33	48/44/38/33
	Net/Shipping weight	kg	8.7/10.7			11.6/13.8	
Piping	Refrigerant type	kg	R32				
	Refrigerant liquid pipe	mm	6.35 (¼)				
	Refrigerant gas pipe	mm	9.52 (¾)			12.7 (½)	
	Connecting method		YR-HG				

FEATURES & BENEFITS

Installation flexibility

Models AB25, AB35 and AB50 are 570 x 570mm for easy installation into a 600mm ceiling grid.



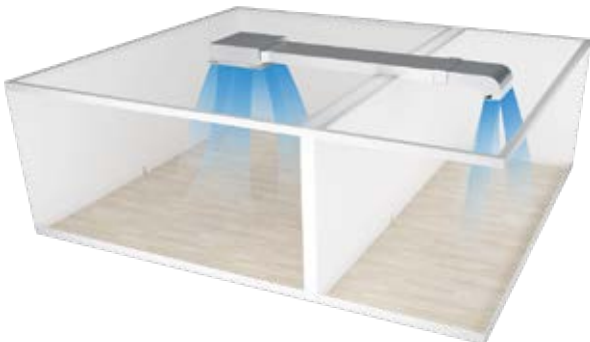
High lift drain pump

This model includes a built-in condensate drain pump with 750mm lift height to suit your installation.



Branch air outlet

An optional second branch outlet provides further air distribution.



Quiet operation

A helix fan blade and diffuser are designed for quiet operation.



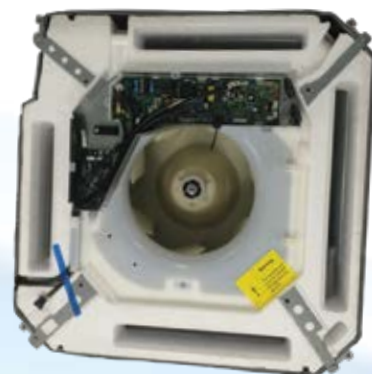
Fresh air inlet

Fresh air knockout is incorporated in the chassis allowing introduction of fresh air at a rate of up to 20% of airflow without compromising cooling capacity.



Easy access to electrical box

The electrical box is located inside the unit, removing the need for a ceiling access panel to be fitted.



CASSETTE



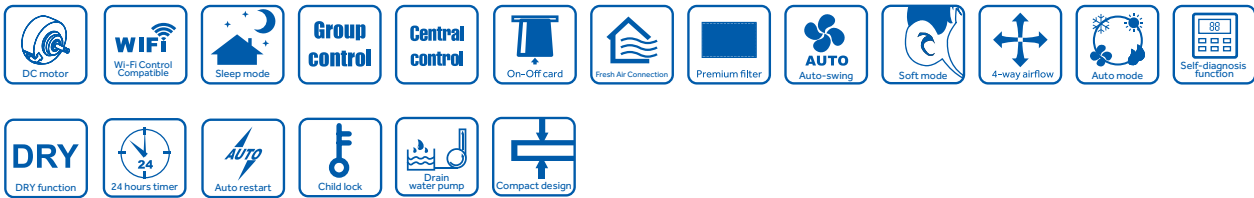
- AB25S2PC1FA
- AB35S2PC1FA
- AB50S2PC1FA



YR-HQS01



- AB71S2PC1FA

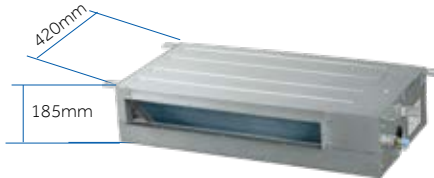


Model/indoor unit			AB25S2PC1FA	AB35S2PC1FA	AB50S2PC1FA	AB71S2PC1FA
Capacity Electrical	Cooling	kW nominal	2.6	3.5	5.0	7.1
	Heating	kW nominal	3.2	4.0	5.5	8.0
	Sensible heat ratio (Cooling)	W	0.71			
	Dehumidifying capacity	10 ⁻³ x m ³ /h	1.0	1.5	2.2	3.0
	Power supply	Ph/V/Hz	1/220-240/50			
Indoor Unit	Air flow (H/M/L/Q)	m ³ /h	510/450/390/330 (620/520/450/350)	620/520/450/350	700/600/500/400	1260/1070/820/680
	External dimensions (L/W/H)	mm	570/570/260			840/840/240
	Shipping dimensions (L/W/H)	mm	718/680/380			930/930/330
	Drainage pipe (material, I.D/O.D)	mm	PVC 26/32			
	Control type (Remote/Wired)		Remote YR-HQS01(S) Wired YR-E17A(O)			
	W-FI		(O)			
	Fresh air hole dimension	mm	95			
	Sound power level (H/M/L)	dB(A)	50	52	55	
	Sound pressure level (H/M/L)	dB(A)	38/25/23	36/33/30/27	42/37/35/32	42/40/38/35
	Net/Shipping weight	kg	17/20	18.5/22		25.5/30.5
Panel	Model		PB-620KB			PB-950KB
	External dimensions (W/D/H)	mm	620/620/60			950/950/50
	Shipping dimensions (W/D/H)	mm	660/660/115			1013/1025/123
	Net/Shipping weight	kg	2.8/4.5			6.5/9.5
Piping	Refrigerant type		R32			
	Refrigerant liquid pipe	mm	Ø6.35			Ø9.52
	Refrigerant gas pipe	mm	Ø9.52		Ø12.7	Ø15.88
	Connecting method		Flared			

FEATURES & BENEFITS

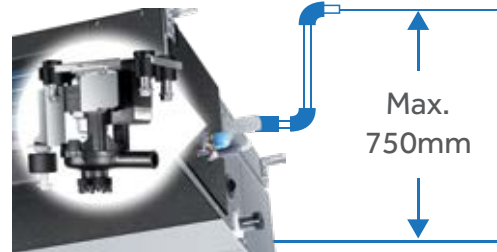
Slim design

With a slim profile, this ducted indoor unit is ideal for installation in shallow ceiling cavities, such as between floors in multistorey buildings.



High lift drain pump

This indoor unit has a condensate pump with 750mm lift height and a built-in fail-safe switch for reliable moisture removal in confined spaces.



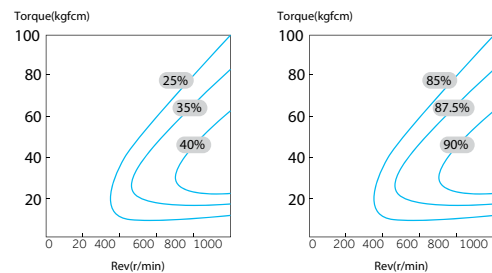
Left or right drain outlet

Drain direction can be left or right according to the layout.



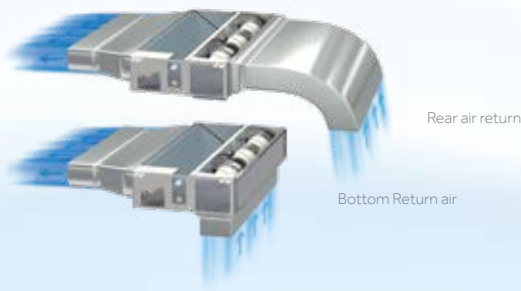
Efficient DC motor

DC fan motors are renowned for using less energy than a standard AC motor. They are also highly adjustable for better airflow and static pressure tuning to suit your installation.



Return air choices

Clever design allows the rear return air to be easily converted to bottom return air to suit the installation.




SLIM LOW STATIC DUCT




YR-E17A




Shown fitted with new optional 3D air flow panel

 **AD25S2PC1FA**

 **AD35S2PC1FA**

 **AD50S2PC1FA**

 **AD71S2PC1FA**



Model/indoor unit		AD25S2PC1FA	AD35S2PC1FA	AD50S2PC1FA	AD71S2PC1FA	
Capacity Electrical	Cooling	kW nominal	2.5	3.5	5.0	7.1
	Heating	kW nominal	3.0	4.0	5.5	7.5
	Sensible heat ratio (Cooling)	W	0.71			
	Dehumidifying capacity	10 ⁻³ x m ³ /h	1.0	1.5	2.2	3.0
	Power supply	Ph/V/Hz	1/220-240/50			
Indoor Unit	Air flow (H/M/L/Q)	m ³ /h	530/460/390/330	600/480/420/350	900/750/600	1000/850/750
	External static pressure	pa	0/10/20/40	0/10/20/40	0/10/20/40	0/10/20/40
	External dimensions (L/W/H)	mm	850x420x185		1170x420x185	
	Shipping dimensions (L/W/H)	mm	1045x530x260		1365x530x260	
	Drainage pipe (material, I.D/O.D)	mm	PVC 27/31			
	Control type (Remote/Wired)		Remote YR-HQS01(O) Wired YR-E17A(S)			
	W-Fi		(O)			
	Sound power level (H/M/L)	dB(A)	50 (51)	53 (53)	54 (54)	57 (57)
	Sound pressure level (H/M/L)	dB(A)	29/28/25	33/28/25	36/34/32	46/44/42
	Net/Shipping weight	kg	16/21		22/28	25.2/28.4
Panel	Model		P1B-890IA/D	P1B-890IA/D	P1B-1210IA/D	P1B-1210IA/D
	External dimensions (L/W/H)	mm	890/190/100 (outlet panel) / 890/290.5/32.4 (inlet panel)		1210/190/100 (outlet panel) / 1210/290.5/32.4 (inlet panel)	
	Shipping dimensions (L/W/H)	mm	938x335x220		1258x335x220	
	Net/Shipping weight	kg	4/5		5/6	
Piping	Refrigerant type		R32			
	Refrigerant liquid pipe	mm	Ø6.35(¼)		Ø12.7	Ø9.52(⅜)
	Refrigerant gas pipe	mm	Ø9.52		Ø12.7	Ø15.88
	Connecting method		Flared			

MATCHING TABLE

A connection guide of permitted indoor unit's associated with each multi outdoor unit

3U55S2PR1FA			
Comb.	Combinations		
	Unit A	Unit B	Unit C
(1x1)	2.0	—	—
	2.5	—	—
	3.5	—	—
	4.2	—	—
(1x2)	5.0	—	—
	2.0	2.0	—
	2.0	2.5	—
	2.0	3.5	—
	2.0	4.2	—
	2.0	5.0	—
	2.5	2.5	—
	2.5	3.5	—
	2.5	4.2	—
	2.5	5.0	—
(1x3)	2.0	2.0	2.0
	2.0	2.0	3.5
	2.0	2.5	2.5
	2.0	2.5	3.5
	2.5	2.5	2.5
	2.5	2.5	3.5

4U71S2PR1FA			
Comb.	Combinations		
	Unit A	Unit B	Unit C
(1x1)	2.0	—	—
	2.5	—	—
	3.5	—	—
	4.2	—	—
	5.0	—	—
	7.1	—	—
	2.0	2.0	—
	2.0	2.5	—
	2.0	3.5	—
	2.0	4.2	—
(1x2)	2.0	5.0	—
	2.0	7.1	—
	2.5	2.5	—
	2.5	3.5	—
	2.5	4.2	—
	2.5	5.0	—
	2.5	7.1	—
	3.5	3.5	—
	3.5	4.2	—
	3.5	5.0	—
(1x3)	3.5	7.1	—
	4.2	4.2	—
	4.2	5.0	—
	4.2	7.1	—
	5.0	5.0	—
	5.0	7.1	—
	2.0	2.0	2.0
	2.0	2.0	2.5
	2.0	2.0	3.5
	2.0	2.0	4.2
	2.0	2.0	5.0
	2.0	2.0	7.1
	2.0	2.5	2.5
	2.0	2.5	3.5
	2.0	2.5	4.2
	2.0	2.5	5.0
	2.0	2.5	7.1
	2.0	3.5	3.5
	2.0	3.5	4.2
	2.0	3.5	5.0
	2.0	3.5	7.1
	2.0	4.2	4.2
	2.0	4.2	5.0
	2.0	4.2	7.1
	2.5	2.5	2.5
	2.5	2.5	3.5
	2.5	2.5	4.2
	2.5	2.5	5.0
2.5	2.5	7.1	
2.5	2.5	4.2	
2.5	2.5	5.0	
2.5	2.5	7.1	
2.5	3.5	3.5	
2.5	3.5	4.2	
2.5	3.5	5.0	
2.5	3.5	7.1	
2.5	4.2	4.2	
2.5	4.2	5.0	
3.5	3.5	3.5	
3.5	3.5	4.2	
3.5	3.5	5.0	

4U71S2PR1FA				
Comb.	Combinations			
	Unit A	Unit B	Unit C	Unit D
(1x4)	2.0	2.0	2.0	2.0
	2.0	2.0	2.0	2.5
	2.0	2.0	2.0	3.5
	2.0	2.0	2.0	4.2
	2.0	2.0	2.0	5.0
	2.0	2.0	2.0	7.1
	2.0	2.0	2.5	2.5
	2.0	2.0	2.5	3.5
	2.0	2.0	2.5	4.2
	2.0	2.0	2.5	5.0
	2.0	2.0	2.5	7.1
	2.0	2.0	3.5	3.5
	2.0	2.0	3.5	4.2
	2.0	2.0	3.5	5.0
	2.0	2.5	2.5	2.5
	2.0	2.5	2.5	3.5
	2.0	2.5	2.5	4.2
	2.0	2.5	2.5	5.0
	2.0	2.5	3.5	3.5
	2.0	2.5	3.5	4.2
	2.0	2.5	3.5	5.0
	2.0	2.5	4.2	4.2
	2.0	2.5	4.2	5.0
	2.0	3.5	3.5	3.5
2.0	3.5	3.5	4.2	
2.5	2.5	2.5	2.5	
2.5	2.5	2.5	3.5	
2.5	2.5	2.5	4.2	
2.5	2.5	2.5	5.0	
2.5	2.5	3.5	3.5	

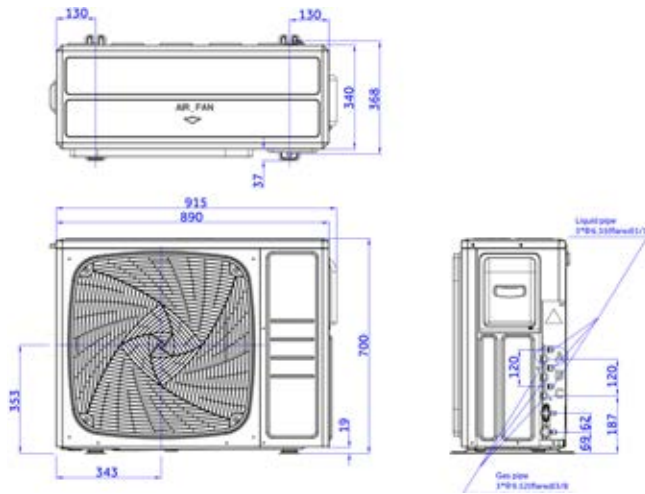
4U80S2PR1FA			
Comb.	Combinations		
	Unit A	Unit B	Unit C
(1x1)	2.0	—	—
	2.5	—	—
	3.5	—	—
	4.2	—	—
	5.0	—	—
	7.1	—	—
	2.0	2.0	—
	2.0	2.5	—
	2.0	3.5	—
	2.0	4.2	—
(1x2)	2.0	5.0	—
	2.0	7.1	—
	2.5	2.5	—
	2.5	3.5	—
	2.5	4.2	—
	2.5	5.0	—
	2.5	7.1	—
	3.5	3.5	—
	3.5	4.2	—
	3.5	5.0	—
(1x3)	3.5	7.1	—
	4.2	4.2	—
	4.2	5.0	—
	4.2	7.1	—
	5.0	5.0	—
	5.0	7.1	—
	2.0	2.0	2.0
	2.0	2.0	2.5
	2.0	2.0	3.5
	2.0	2.0	4.2
	2.0	2.0	5.0
	2.0	2.0	7.1
	2.0	2.5	2.5
	2.0	2.5	3.5
	2.0	2.5	4.2
	2.0	2.5	5.0
	2.0	2.5	7.1
	2.0	3.5	3.5
	2.0	3.5	4.2
	2.0	3.5	5.0
	2.0	3.5	7.1
	2.0	4.2	4.2
	2.0	4.2	5.0
	2.0	4.2	7.1
	2.0	5.0	5.0
	2.5	2.5	2.5
	2.5	2.5	3.5
	2.5	2.5	4.2
2.5	2.5	5.0	
2.5	2.5	7.1	
2.5	3.5	3.5	
2.5	3.5	4.2	
2.5	3.5	5.0	
2.5	3.5	7.1	
2.5	4.2	4.2	
2.5	4.2	5.0	
2.5	4.2	7.1	
2.5	5.0	5.0	
3.5	3.5	3.5	
3.5	3.5	4.2	
3.5	3.5	5.0	
3.5	3.5	7.1	
3.5	4.2	4.2	
3.5	4.2	5.0	
3.5	5.0	5.0	
4.2	4.2	4.2	
4.2	4.2	5.0	

4U80S2PR1FA				
Comb.	Combinations			
	Unit A	Unit B	Unit C	Unit D
(1x4)	2.0	2.0	2.0	2.0
	2.0	2.0	2.0	2.5
	2.0	2.0	2.0	3.5
	2.0	2.0	2.0	4.2
	2.0	2.0	2.0	5.0
	2.0	2.0	2.0	7.1
	2.0	2.0	2.5	2.5
	2.0	2.0	2.5	3.5
	2.0	2.0	2.5	4.2
	2.0	2.0	2.5	5.0
	2.0	2.0	2.5	7.1
	2.0	2.0	3.5	3.5
	2.0	2.0	3.5	4.2
	2.0	2.0	3.5	5.0
	2.0	2.5	2.5	2.5
	2.0	2.5	2.5	3.5
	2.0	2.5	2.5	4.2
	2.0	2.5	2.5	5.0
	2.0	2.5	2.5	7.1
	2.0	2.5	3.5	3.5
	2.0	2.5	3.5	4.2
	2.0	2.5	3.5	5.0
	2.0	2.5	3.5	7.1
	2.5	2.5	2.5	2.5
2.5	2.5	2.5	3.5	
2.5	2.5	2.5	4.2	
2.5	2.5	2.5	5.0	
2.5	2.5	2.5	7.1	
2.5	2.5	3.5	3.5	
2.5	2.5	3.5	4.2	
2.5	2.5	3.5	5.0	
2.5	2.5	3.5	7.1	
2.5	3.5	3.5	3.5	
2.5	3.5	3.5	4.2	
2.5	3.5	3.5	5.0	
2.5	3.5	3.5	7.1	
2.5	4.2	4.2	4.2	
2.5	4.2	4.2	5.0	
2.5	4.2	4.2	7.1	
2.5	5.0	5.0	5.0	
3.5	3.5	3.5	3.5	
3.5	3.5	3.5	4.2	
3.5	3.5	3.5	5.0	
3.5	3.5	3.5	7.1	
3.5	4.2	4.2	4.2	
3.5	4.2	4.2	5.0	
3.5	5.0	5.0	5.0	
4.2	4.2	4.2	4.2	
4.2	4.2	4.2	5.0	

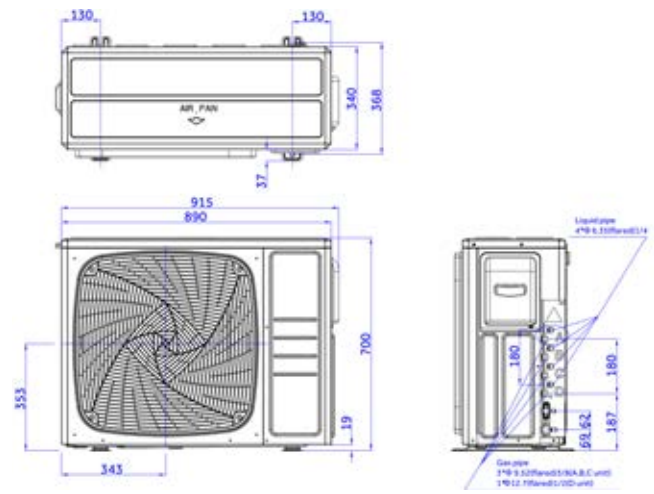
DRAWINGS

OUTDOOR UNITS

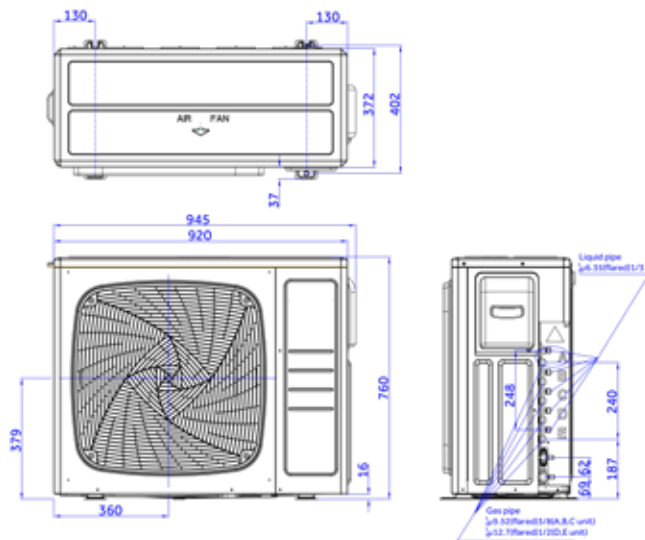
3U55S2PR1FA



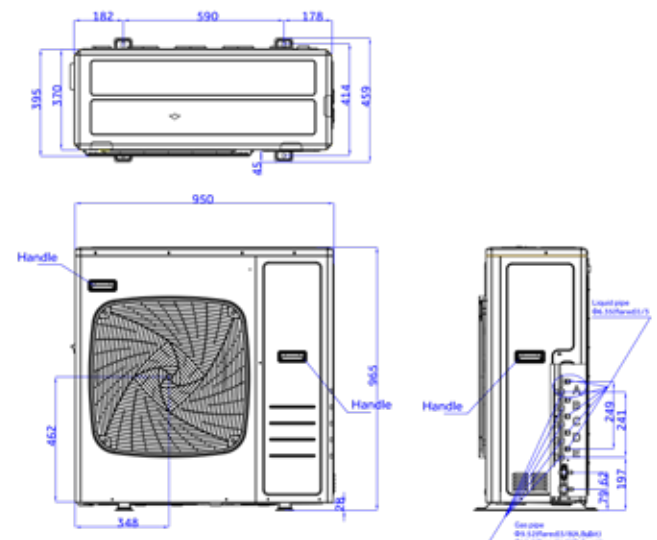
4U71S2PR1FA 4U80S2PR1FA



5U100S2PS1FA



5U125S2PN1FA

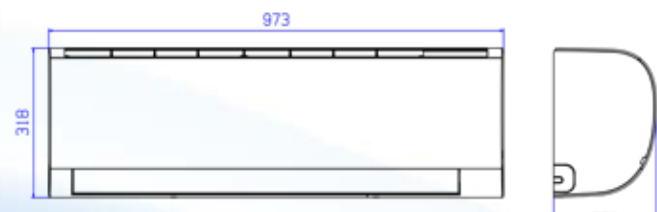


INDOOR UNITS

AS26PBDHRA AS35PBDHRA



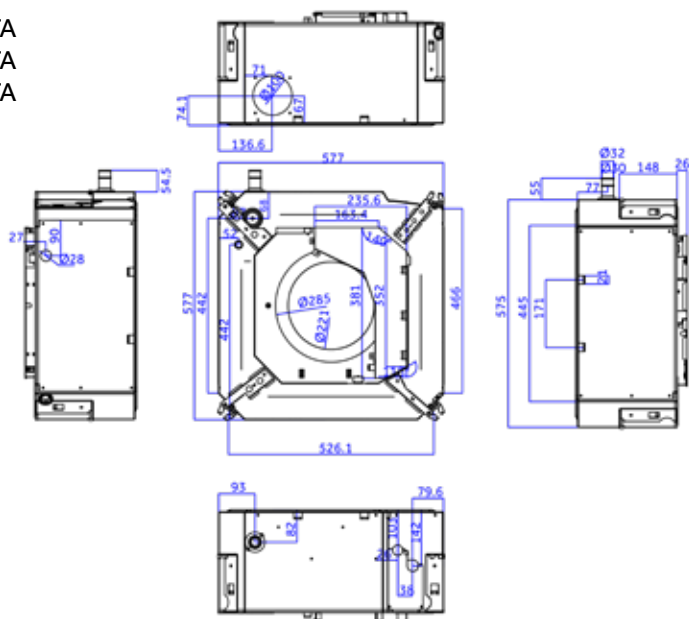
AS53PBDHRA AS71PBDHRA



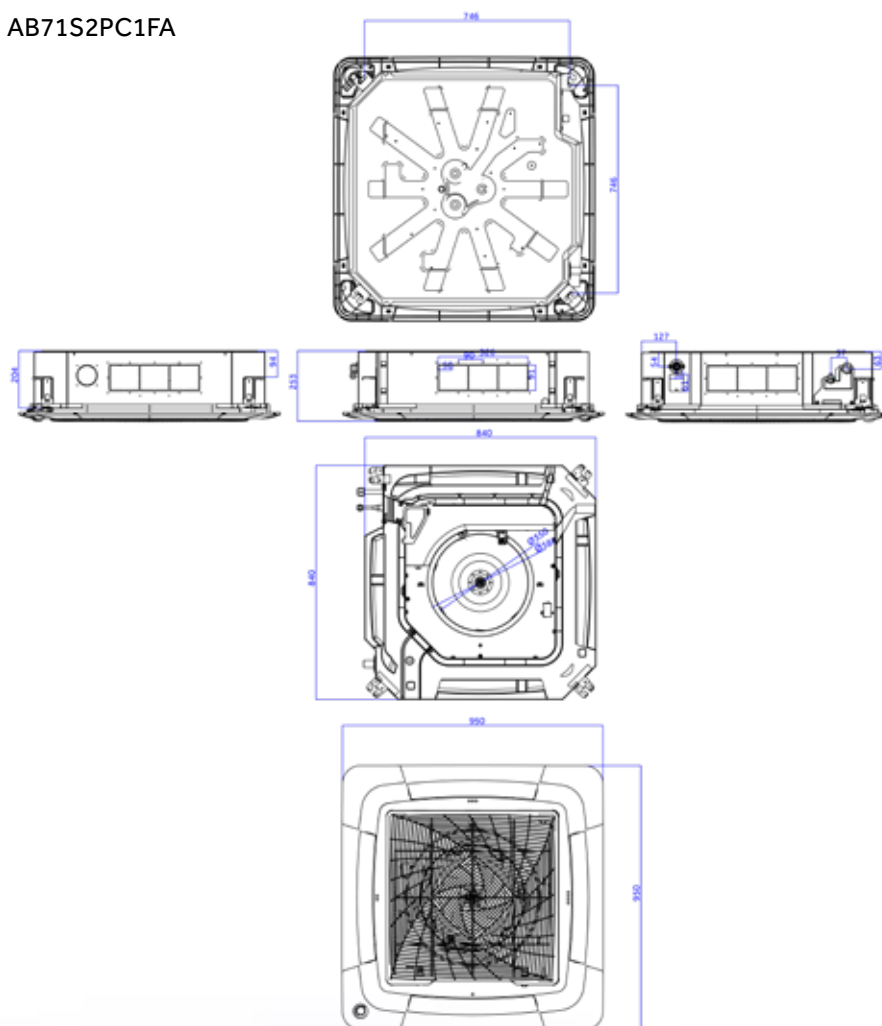
INDOOR UNITS

CASSETTE

AB25PC1FA
 AB35PC1FA
 AB50PC1FA

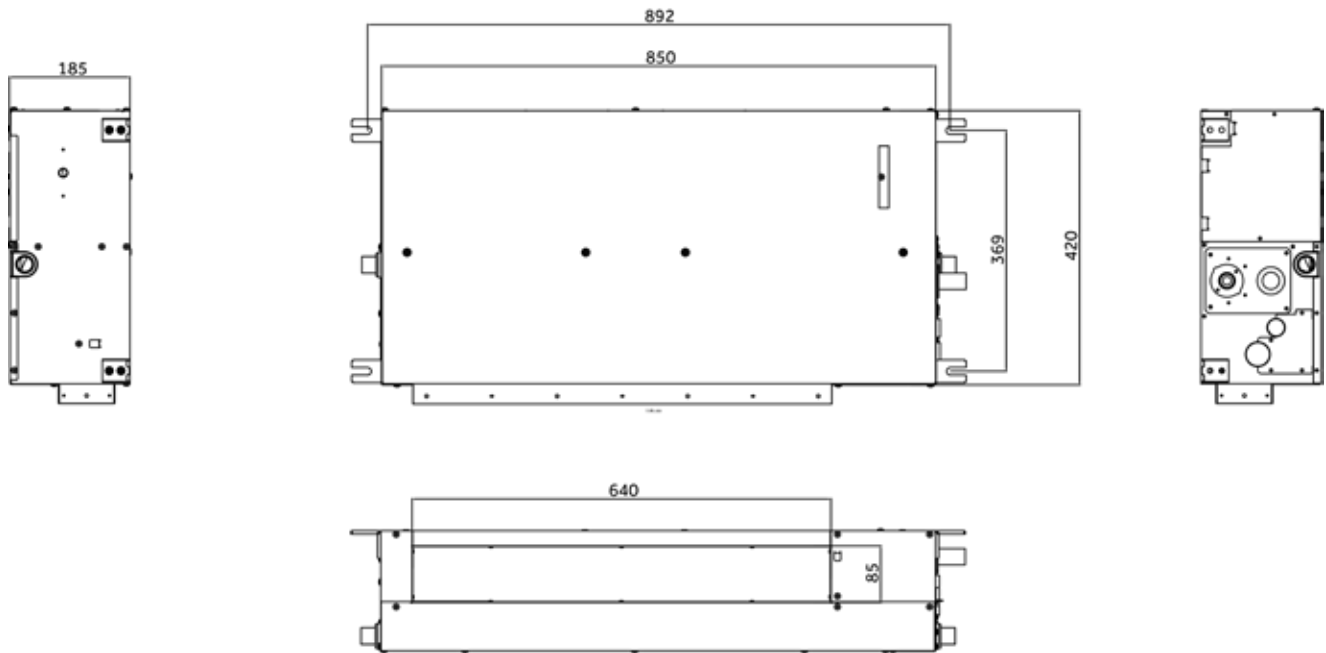


AB71S2PC1FA

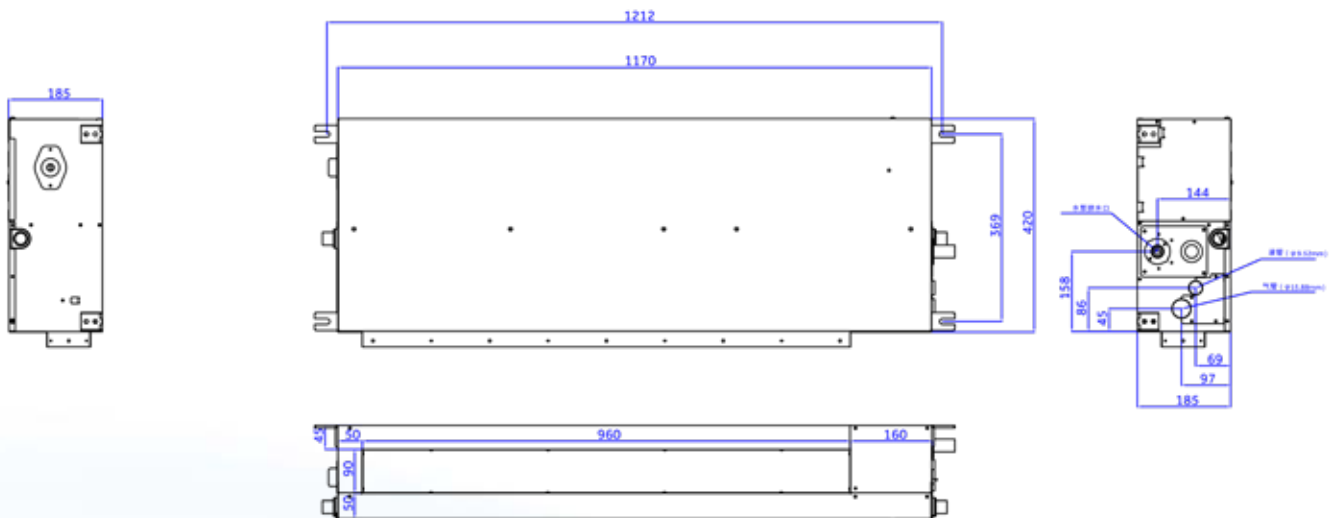


DRAWINGS

DUCTED LOW STATIC AD25S2PS1FA AD35S2PS1FA



AS50S2PS1FA AD71S2PS1FA



YR-HQS01

- On/Off, Mode, Fan speed, Temperature setting, Swing
- Individual control
- Timer
- Clock



YR-E17A

- On/Off, Mode, Fan speed, Temperature setting, Swing.
- Individual & Group control (Max 16 indoor units)
- Small, Simple and Smart design, 86*86*13.05mm
- Touch screen with back light
- Timer - 24 hr.
- Individual blade control for Super Match Cassette



YR-E16B

- Seven day time clock
- On/Off, Mode, Fan speed, Temperature setting, Swing
- Individual & Group control (Max 16 indoor units)
- Large touch buttons
- Fahrenheit/ Celsius selectable; Sensitivity $\pm 0.5^{\circ}\text{C}$
- Individual blade control for Super Match Cassette
- Error display in date sequence



HI-WB101DEI

- USB Wi-Fi Control (Cassette & Ducted unit).
- Easy to install via a USB connector.
- Unit control via Android or Apple smart-phone device



RE-02

- Infrared receiver control for ducted type indoor unit.
- Compatible with YR-HQS01



HC-SA164DBT

- Central control, Max 64 indoor units
- 5-inch TFT LCD touch screen with back light
- Weekly timer .
- Indoor units information edit



YCZ-A004

- Central control, Max 256 indoor units
- 7-inch TFT LCD touch screen with back light
- Schedule control
- Indoor units' information edit



Haier Brand Story

Who is Haier? World's largest home appliance manufacturer



Haier is the number one brand globally in major appliances in 2021*



Founded in 1984, 2022 marks our 38th year



Parent company of GE Appliances



Distributed by Fisher & Paykel, a wholly owned Haier subsidiary

*Source Euromonitor International Limited; Consumer Appliances 2022ed. % unit share, 2021 volume sales data. Major Appliances category is the sum of dishwashers, home laundry appliances, large cooking appliances, microwaves and refrigeration appliances.

Haier



Customer Care

The fastest growing localised AC service team in the country

Visit the website for technical data

haier.com.au/air-conditioning

24/7 customer support and service booking

1300 729 948

Haier

Important notice of Disclosure: Copyright © Fisher & Paykel Appliances 2022. All rights reserved. The product dimensions and specifications in this brochure apply to the specific products and models described at the date of issue. Under our policy of continuous product improvement, these dimensions and specifications may change at any time. You should therefore check with your dealer or Haier's Customer Care Centre to ensure this flyer correctly describes the products currently available.

Fisher & Paykel Australia Pty Ltd, Level 1, 1 Eden Park Drive, Macquarie Park, NSW 2113. Phone Customer Care: 1300 729 948
Email: customer.care@haier.com.au