

A WATER HEATER LIKE NO OTHER

Solahart PowerStore® is different to conventional water heaters in three important ways.

✔ It is designed to intelligently interact with your solar panels to divert excess solar power when it's available for maximum efficiency.

✔ Unlike a standard water heater, it can work at varying power levels, so it is better suited to the variable power delivered from solar energy.

✔ It can heat water gradually to take advantage of the sunniest parts of the day.

TECHNICAL SPECIFICATIONS

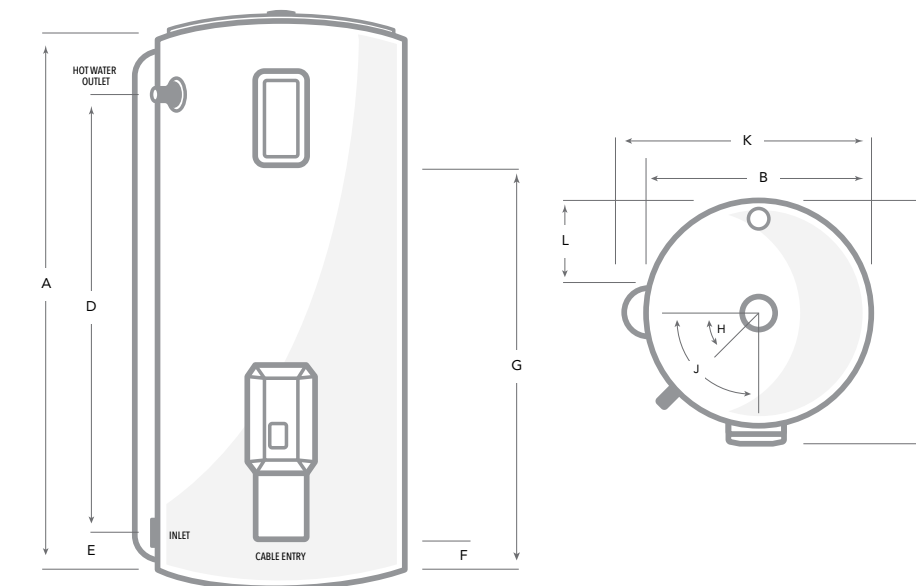
	PowerStore 250	PowerStore 315	Solar Ready 250	Solar Ready 315
Tank model	250E5X	315E5X	270RMX36G	320RMX36G
Solahart Warranty	10/3/3*		10/3/2*	
Installation	Indoor/Outdoor			
Hot water delivery (L)	250	315	250	315
Boost capacity (L)	50		136	162
Weight empty (kg)	82	92	82	92
Weight full (kg)	352	417	352	417
Dimensions H x W x D (mm)	1395 x 640 x 680	1640 x 640 x 680	1395 x 640 x 680	1640 x 640 x 680
50°C Limited Hot Water Outlet	Yes		No	

Electric specifications

Heating unit type	
Top	Copper sheath immersion element 3.6 kW
Bottom	Triple-blade variable power copper sheath immersion element, max 3.6kW
Supply voltage	240 V 50 Hz
Water Supply	
TPR Valve Setting (kPa)	1000
ECV setting (kPa)	850
Max. supply pressure with ECV (kPa)	680
Max. supply pressure without ECV	800
Min. supply pressure (kPa)	200
Water connections	Hot and Cold Rp 3/4

Dimensions (mm)

A	1395	1640	1395	1640
B	640	640	640	640
C	705	705	705	705
D	1109	1317	1112	1317
E	73	113	73	113
F	103	103	103	103
G	988	1228	596	720
H	32°	32°	32°	32°
J	88°	88°	88°	88°
K	705	705	N/A	N/A
L	262	262	N/A	N/A



*Solahart Warranty Details: PowerStore: 10/3/3 warranty; 10-year cylinder supply, 3-year cylinder labour, 3-year parts supply including labour; applies to a single-family domestic dwelling only. For full details see Owner's Guide and Installation Instructions. Solar Ready: 10/3/2 warranty; 10-year cylinder supply, 3-year cylinder labour, 2-year parts supply including labour; applies to a single-family domestic dwelling only. All other applications have a 3/1/1 warranty; 3-year cylinder supply, 1 year parts supply, 1 year labour.

AUSTRALIA'S FIRST SOLAR-SMART ELECTRIC WATER HEATER



SOLAHART POWERSTORE®

Book a free on-site solar assessment
Call 1300 769 475 or visit solahart.com.au

Solahart
HOT WATER *Free* FROM THE SUN®



**GET SMART
GET SOLAHART**

Solahart
HOT WATER *Free* FROM THE SUN®

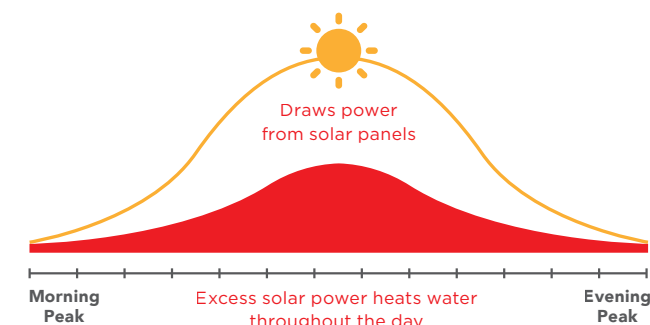
SOAK UP MORE POWER FROM YOUR SOLAR PANELS WITH SOLAHART POWERSTORE®

Introducing Solahart PowerStore®, Australia's first solar-smart electric water heater. Solahart PowerStore® works with your solar power panels to capture excess solar energy and turns it into hot water rather than sending it back to the grid.

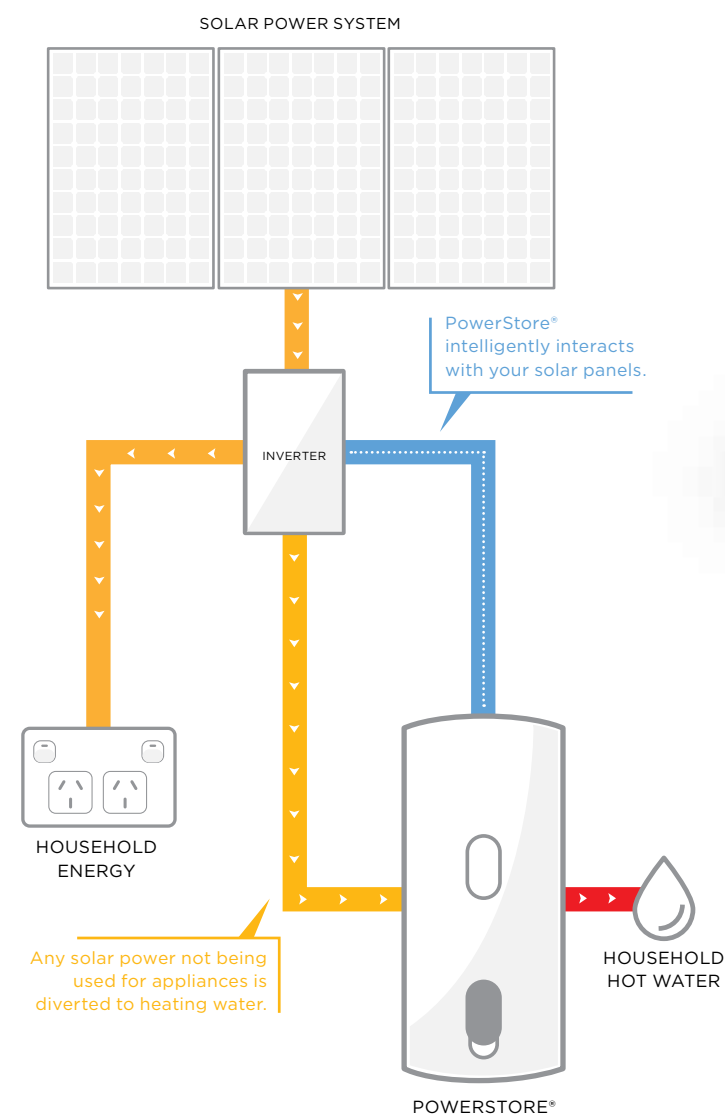
It's similar to a home battery in that it stores energy for later use, but it's more affordable. And because it minimises the amount of power you draw from the grid, it's a great way to reduce your energy bills.

MAKE THE MOST OF YOUR SUNSHINE.

If the power generated from your solar panels isn't used immediately, it's sent back to the grid. Solahart PowerStore® is designed to intelligently harvest this excess power to generate hot water.



Conventional electric water heaters draw maximum power when their heating element is switched on. This usually happens in the morning and evening when solar panels are not fully productive, so hot water is mainly heated by power from the grid rather than using solar energy. PowerStore® monitors your electricity usage during the day and then diverts any excess solar power that is not being used by household appliances towards your water heater, rather than allowing it to be fed back into the grid.



WHAT MAKES SOLAHART POWERSTORE® SO SMART?

PowerStore® uses world-leading smart technology developed, designed and built in Australia.



TWO-STAGE WATER HEATING

A specially designed two-stage water heater ensures quick recovery and reliable supply by maintaining a reserve of hot water even on cloudy days.



TRIPLE-BLADE HEATING UNITS

An innovative variable-power heating unit is designed to claw-back excess solar power rather than sending it back to the grid, so you can make the most of your solar energy.



SMART CONTROLS

Advanced tank temperature sensing and powerline communications technology allows intelligent home energy management with no additional cabling requirements.



LARGE THERMAL ENERGY STORAGE

PowerStore® holds up to 315 litres of water which is large enough for families and equates to approximately 13kWh[^] of thermal storage capacity for your excess solar power.

WHY CHOOSE SOLAHART POWERSTORE® ?



CONTROL

Maximise your solar power and stop worrying about low feed-in tariffs.



ASSURANCE

Trust Solahart. Australia's solar energy experts for over 65 years.



AFFORDABLE ENERGY STORAGE

Get the benefits of home energy storage for a lower cost than a battery.



SOLAHART WARRANTY

Rest easy with a 10-year tank warranty for extra peace of mind.

MAKE YOUR HOME EVEN SMARTER WITH SOLAHART

Combining a Solahart PowerStore® system with a Solahart Energy Management Unit will result in greater savings. This unit allows you to purchase energy when it's cheaper by shifting loads away from peak demand periods. It also helps predict solar energy generation from your solar power system by using seasonal and daily weather patterns, and decides when it's best to use

high energy consuming devices such as air conditioners and pool pumps. A Solahart Energy Management Unit also monitors and intelligently coordinates the performance of your PV system, hot water tank, home battery and other appliances to reduce your energy costs and give you greater control of your home.



GET SMART WITH A SOLAHART ENERGY MANAGEMENT UNIT

A Solahart Energy Management Unit brings your appliances and energy-generating devices together under one monitoring and control platform. The unit's atHome App allows you to easily monitor your system's daily energy production and analyse its performance anywhere, anytime.



Reduce energy costs by maximising your solar energy and shifting loads away from expensive peak times.



Access live information about your home's energy usage and solar power generation.



Take advantage of upcoming technologies via cloud-based updates.



Receive automatic fault alerts from managed appliances (solar power, batteries, pool pumps, EVs).*